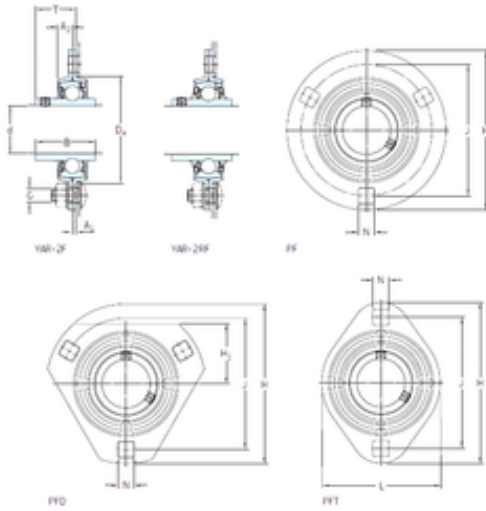




Shenzhen Youmeite Bearings Co., Ltd.



PFT 30 WF Bearing 2D drawings and 3D CAD models

SKF PFT 30 WF bearing units

Bearing No. PFT 30 WF

Bore Diameter	30 mm
d	30 mm
Da	71 mm
A1	2,5 mm
B1	48,4 mm
G	10 mm
H	112 mm
H1	– mm
J	90,5 mm
L	84 mm
N	10,5 mm
T	32,6 mm
A2	9,5 mm
Weight	0,52 Kg
Basic dynamic load rating (C)	19,5 kN
Basic static load rating (C0)	11,2 kN
Housing material	Pressed steel
Da min.	67 mm
A ₁	2.5 mm
A ₂	9.5 mm
B ₁	48.4 mm
B ₄	5.95 mm
s ₁	30.1 mm
Basic dynamic load rating C	19.5 kN
Basic static load rating C ₀	11.2 kN
Fatigue load limit P _u	0.475 kN



Shenzhen Youmeite Bearings Co., Ltd.

Limiting speed	6300 r/min
Mass bearing unit	0.55 kg
Thread grub screw G ₂	M8x1
Hexagonal key size for grub screw N	4 mm
Recommended tightening torque for grub screw	6.5 N · m
Recommended diameter for attachment bolts, mm G	10 mm
Recommended diameter for attachment bolts, inch G	0.375 in
Housing	PFT 62
Bearing	YEL 206-2F