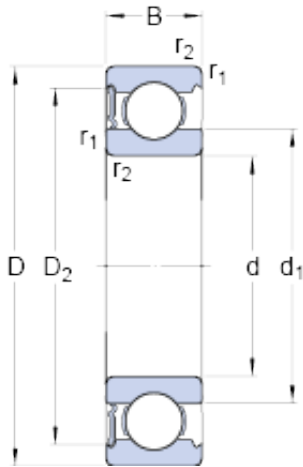




Shenzhen Youmeite Bearings Co., Ltd.



6316-RS1 Bearing 2D drawings and 3D CAD models

80 mm x 170 mm x 39 mm SKF 6316-RS1 deep groove ball bearings

Bearing No. 6316-RS1

Size	170x80x39 mm
Bore Diameter	170 mm
Outer Diameter	80 mm
Width	39 mm
d	80 mm
D	170 mm
B	39 mm
d ₁	108 mm
D ₂	146.9 mm
r _{1,2} - min.	2.1 mm
d _a - min.	92 mm
d _a - max.	107.9 mm
D _a - max.	158 mm
r _a - max.	2 mm
Basic dynamic load rating - C	130 kN
Basic static load rating - C ₀	86.5 kN
Fatigue load limit - P _u	3.2 kN
Limiting speed	2600 r/min
Calculation factor - k _r	0.03
Calculation factor - f ₀	13
d ₁	108 mm
D ₂	146.9 mm
r _{1,2} min.	2.1 mm
d _a min.	92 mm



Shenzhen Youmeite Bearings Co., Ltd.

d_a max.	107.9 mm
D_a max.	158 mm
r_a max.	2 mm
Basic dynamic load rating C	130 kN
Basic static load rating C_0	86.5 kN
Fatigue load limit P_u	3.25 kN
Calculation factor k_r	0.03
Calculation factor f_0	13.3
Mass bearing	3.65 kg